

AW-4600AT

The integrated fully automatic weigh/wrap/label system



HIGH SPEED



AW-4600AT(R-L Type)

SUPER-STRETCH USER-FRIENDLY



AW-4600AT combines high speed and dynamic film stretching for a superior backroom operation

After thorough research of stores' needs, the AW-4600AT was designed to meet the requirements of your weigh/wrap/label operations

The AW-4600AT uses the unique super-stretching technology of the AW-3600AT that established the international standard. DIGI further ensures this feature by improving the film transportation mechanism. The AW-4600AT accomplishes greater savings of film while speeding up the process.

In addition to the incredible wrapping capability, the AW-4600AT has a variety of label presentation options to meet various regulations or other information desired by the product conscious consumers.



AW-4600AT

An optional POP Labeller for a second eye-catching label totally rationalizes your backroom operations by saving time, labor, and cost of labels.



Compact yet full of features for increased productivity

Advanced super-stretching system

The improved film transportation mechanism allows you to easily produce an attractive wrapping finish that raises the commodity's value. Wrapping various sizes of commodities, up to 380mm/15 inches wide, with just one size of film makes managing film stock easy. While saving film, this also helps reduce waste for a better environment.



Large color TOUCH screen



The 10.4 inches sized color TFT display makes operation extremely simple. Total efficiency is possible with the numerous built-in functions, such as free-layout functional keys, easy PLU searching, built-in calculator, etc.

Accurate process control

The AW-4600AT automatically determines the optimum wrapping conditions by adjusting the degree of film stretching, depending on commodity size fed into the machine. In addition to the regular styrene tray, the AW-4600AT can now detect dark or clear color trays. The AW-4600AT also corrects and controls the labelling position according to the location of the commodity placed at the infeed.



High productivity

The AW-4600AT provides superior wrapping performance at Max. 36 packs/min. This is a 20 percent increase in speed over the AW-3600AT for regular sized commodities to meet demand during peak store operation.



Easy film change

Film loading is done from the front of the machine with ease so film waste is very minimal. You can smoothly return to wrapping operation after only a minimum of downtime.



Easy-to-clean design

The built-in scale at the infeed is protected from debris. Some parts are detachable for easier cleaning.



Other features

- Wide(80mm) thermal head for printing
- Networking capability
- Trace-ability information programmable

Specifications

Wrapping

Weighing range — Please refer to the “Weighing” section
 Package size — Width: 130 - 380mm/5.1 - 15 inches
 Height: 10 -130*mm/0.4 - 5.1 inches
 *150mm as factory option
 Depth: 80 - 254mm/3.1 - 10 inches
The maximum combination of the above dimensions is not available and the available package size depends on the film width.

Wrapping speed — Max. 36 packages/min.
 Number of film rolls — One roll
 Film width — 350 - 450mm/14 - 18 inches
 Film length — Max.1,500m

Weighing

Interval type	Multi-interval		Single interval
Capacity	Max 6/15kg	Max 3/6kg	Max 30 lb
Scale interval	e=2/5g	e=1/2g	e=0.01 lb
Weighing range	40g - 15kg	20g - 6kg	0.20 - 30 lb
Max. wrapping capacity	5kg	5kg	11 lb

Labelling

Label type — Thermal paper
 Labelling application — Automatic label application
 Label size — Width: 40 - 80mm/1.6 - 3.1 inches
 Length: 28 -105mm/1.1 - 4.1 inches

Console

Display panel — 10.4 inches TFT color
 Keypad — Pictogram or English
 Programmable items — PLU No., commodity name, ingredient, unit price, price, tare weight, sell-by-date, taste-by-date, department name, barcode (UPC, EAN), target weight, special message, advertising message, shop name & logo, extra print format, wrapping conditions, etc.

General

Externals — Resin and stainless steel construction
 Power source and — 208 - 240V, 3phase, 50/60Hz, 1.5KW
 Power consumption — 220 - 240V/380 - 415V, 1Ø or 3Ø/3Ø, 50/60Hz, 6A, 1.5kVA
 Net weight — Approx. 440kg
 Operation humidity — 90%RH(max.)

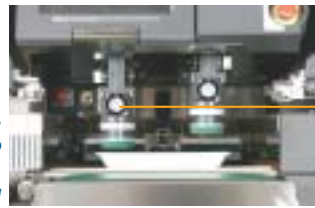
Options

- Sub Labeller
- POP Labeller
- Bottom Labeller

AW-4600AT Multi-labelling System (integrated with optional POP and Bottom Labellers) performs all the labelling in one process

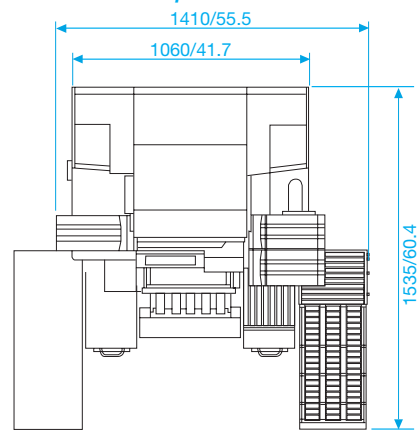
Optional POP Labeller :
 prints and applies a POP label simultaneously with the main price label

Optional Bottom Labeller :
 prints and applies an additional label onto the bottom of the package

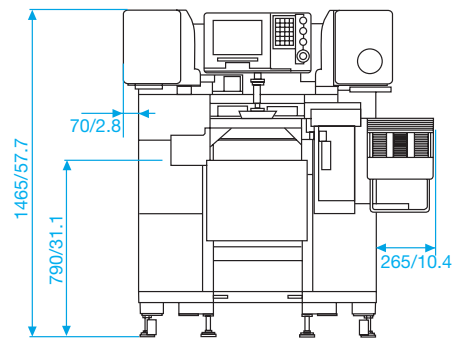


Dimensions

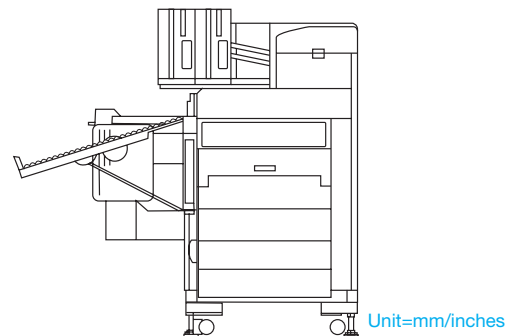
Top View



Front View



Side View



Unit=mm/inches



*Specifications are subject to change without prior notice.

Packaging Solutions, INC.
 404 N. Washington St.
 Shelby, NC 28150
 877-610-2200



DIGI P's LTD.